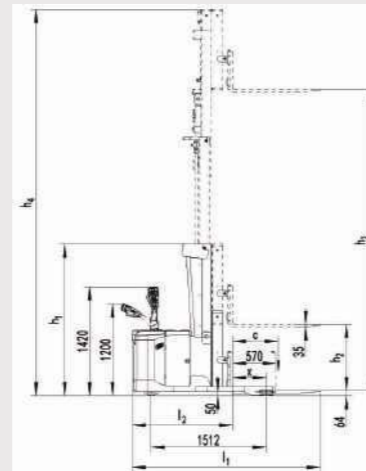
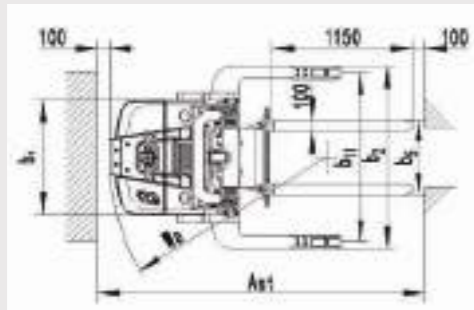


# PS14RP

## High Performance Pedestrian Reach Stacker with Pantograph for Stacking & Racking Operations

### INTRODUCTION

The PS 14RP series comes with many advantages that make operations effortless and faster to save logistics costs and to increase productivity. The high performance AC drive system, electric power steering and all lifting and travel operations are controlled by the state of the art tiller providing any advantages. These combined make the total logistics performance of this forklift impeccable.



### Lithium Battery Pack

Clean, safe, environmentally-friendly Lithium battery pack, no risk of acid leakage, ideal for food, chemical, or pharmaceutical industries that require a clean environment. Additionally the fast charge and long life cycle dramatically improves productivity.



### NFM Forklift

Australian Noblilift Distributor  
WEB: [www.nfmforklifts.com.au](http://www.nfmforklifts.com.au)  
email: [sales@nfmforklifts.com.au](mailto:sales@nfmforklifts.com.au)  
phone: 02 9765 2041



NFM Forklift

### AUTHORISED DEALER

# NOBLELIFT

## PS14RP Optional LITHIUM BATTERY HIGH PERFORMANCE PEDESTRIAN REACH STACKER WITH PANTOGRAPH FOR STACKING & RACKING OPERATIONS



### ADVANTAGES

- Capacity of 1400kg.
- Reach Pantograph with Tilting Forks.
- Noblilift AC Drive System.
- Electric Power Steering.
- Lifting Functions Controlled Ergonomically and Effortless from the Tiller.
- Proportional Speed Lift.
- Sideways Exchange Battery Compartment.\*

\* OPTIONAL.

Type sheet for industrial truck acc. to VDI 219					
Distinguishing mark					
1.2	Manufacturer's type designation		2900	PS14RP	4000
1.3	Power (battery, diesel, petrol gas, manual)			Battery	
1.4	Operator type			Pedestrian	
1.5	Load Capacity / rated load	Q(t)		1.4	
1.6	Load centre distance	X(mm)		600	
1.8	Load distance, centre of drive axle to fork	Y(mm)	410		441
1.9	Wheelbase	Z(mm)		1512	
Weight					
2.1	Service weight	(kg)	2240		2430
2.3	Axle loading, unladen front/ rear	(kg)	1430/810		1560/870
2.4	Axle loading, fork advanced, laden front/rear	(kg)	665/2975		885/2945
2.5	Axle loading, fork retracted, laden front/rear	(kg)	1260/2380		1415/2415
Tires, chassis					
3.1	Tires			Polyurethane (PU)	
3.2	Tire size, front	X W(mm)		254X82	
3.3	Tire size, rear	X W(mm)		102X70(230X80)	
3.5	Wheels, number front/ rear (x=driven wheels)			1X+2;-/4	
3.6	Tread, front	b10(mm)		-	
3.7	Tread, rear	b11(mm)		971-1376	
Dimensions					
4.1	Till of mast/fork carriage forward/backward			2/4	
4.2	Lowered mast height	h1(mm)		1982	
4.3	Free lift height	h2(mm)		-	870
4.4	Lift height	h3(mm)	2836		3936
4.5	Extended mast height	h4(mm)	3952		5052
4.9	Height of tiller in drive position min. / max.	h14(mm)		1200/1420	
4.15	Height, lowered	h13(mm)		64	
4.19	Overall length	l1(mm)	2585		2554
4.20	Length to face of forks	l2(mm)	1434		1404
4.21	Overall width	b1(mm)		920/(1077/1482)	
4.22	Fork dimensions	s/e/l/(mm)		35/100/1150	
4.25	Distance between fork-arms	b5(mm)		200-760	
4.28	Reach distance	l4(mm)		570	
4.32	Ground clearance, centre of wheelbase	m2(mm)		50	
4.33	Aisle width for pallets 1000X1200 crossways	Ast(mm)	2812		2791
4.34	Aisle width for pallets 1000X1200 lengthways	Ast(mm)	2856		2828
4.35	Turning radius	Wa(mm)		1770	
Performance					
5.1	Travel speed, laden/ unladen	km/h		7.0/7.0	
5.2	Lift speed, laden/ unladen	m/s		0.12/0.19	
5.3	Lowering speed, laden / unladen	m/s		0.17/0.15	
5.4	Reaching speed, laden / unladen	m/s		0.15/0.16	
5.8	Max. gradeability, laden/unladen	%		6/10	
5.10	Service brake			Electromagnetic	
Electric engine					
6.1	Drive motor rating S2 60min	KW		1.6	
6.2	Lift motor rating at S3 15%	KW		4.0	
6.3	Battery acc. to DIN 43531 /35 / 36 A, B, C, no			A,4PzS	
6.4	Battery voltage, nominal capacity K5	V/Ah		24/400	
6.5	Battery weight (minimum)	(kg)		380	
6.6	Energy consumption acc. to VDI cycle	kWh/h		2.12	
Additional data					
8.1	Type of drive control			AC-Speed Controller	
8.4	Sound level at driver's ear acc. to EN 12053	dB(A)		69	

# NOBLELIFT



## Robust Design

Solid straddle legs in combination with the very robust chassis and mast makes the PS 14RP very durable.



## Pantograph Reach

The pantograph reach provides operational flexibility to unload vehicles as well as rack and stack pallets.

## Straddle Leg and Optional Bigger Load Wheel

The straddle leg design delivers high residual capacities to suit multiple applications. Optional larger single load wheel is available with 230mm diameter.



## CAN-BUS Tiller

Lifting operations are at your fingertips with this CAN-BUS tiller. All functions are easy to operate and stacking operations become more productive and precise.



## Sideways Battery Exchange

During long or multi shifts the sideways exchange battery compartment reduces downtime to a minimum.



## Control Elements

Key-switch, emergency switch and battery discharge indicator.

## Storage Tray

The robust battery cover has storage areas for paperwork, pens, drinks and packaging.

## Electric Power Steering

The electric power steering makes manoeuvring effortless even in tight spaces.

## Proportional Lift

The proportional lift function ensures very exact positioning of fragile loads.

## Noblelift AC Drive System

The AC Drive system gives high performance and ensures low maintenance costs. AC Drive high efficiency saves energy for longer operations.

